

## Flansa pt tija in diverse variante constructive I Knuckle



Flansa pt tija in diverse variante constructive I Knuckle

Cod comanda

F		M16		150		I		I	
Accessories code		Thread		Thread pitch		Knuckle		Code	
M04	M4	070	0.7mm	I	I Knuckle	I	ISO standard type		
M05	M5	080	0.8mm	J		J	JSI series		
M06	M6	100	1.0mm	Q		Q	ACQ series		
M08	M8	125	1.25mm	A		A	MA series		
M10	M10	150	1.5mm	B		B	PB series		
M12	M12	200	2.0mm	F		F	MF series		
M14	M14								
M16	M16								
M18	M18								
M20	M20								
M22	M22								
M26	M26								
M27	M27								
M36	M36								
M42	M42								

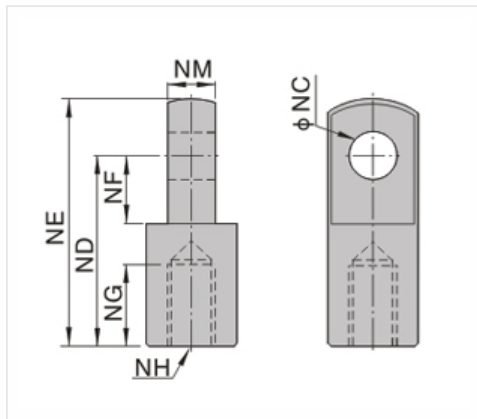


Dimensiuni

ISO standard

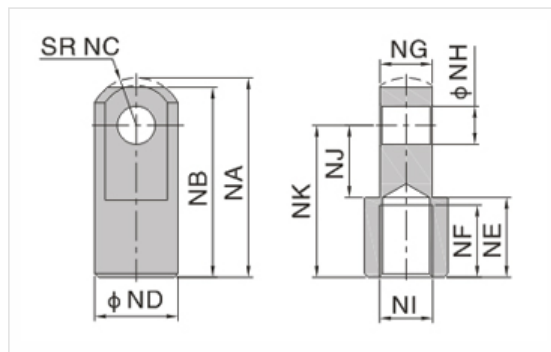
Support tehnic live

Support tehnic 24/24



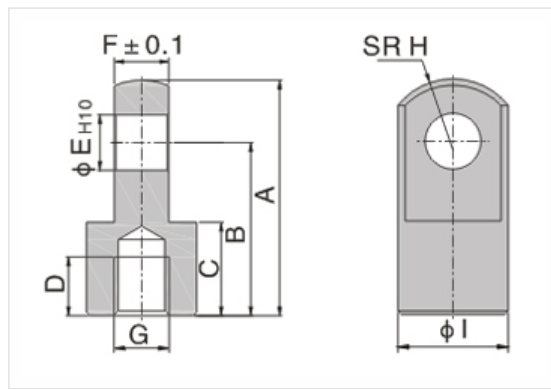
Tip/Cota	NC	ND	NE	NF	NG	NH	NM
F-M04070II	4	16	21	6.8	8	M4X0.7	3.9
F-M06100II	5	21	28	8.5	8	M6×1.0	6
F-M08125II	8	30	40	11	15	M8×1.25	8
F-M10125II	10	40	50	15	20	M10×1.25	10
F-M12125II	12	48	62	24	20	M12×1.25	12
F-M16150II	16	64	82	32	23	M16×1.5	16
F-M20150II	20	80	102	40	30	M20×1.5	20
F-M27200II	30	110	139	51	45	M27×2.0	30
F-M36200II	35	144	181	65	55	M36×2.0	35
F-M42200II	40	168	211	85	62	M42X2.0	40

**JSI Series**



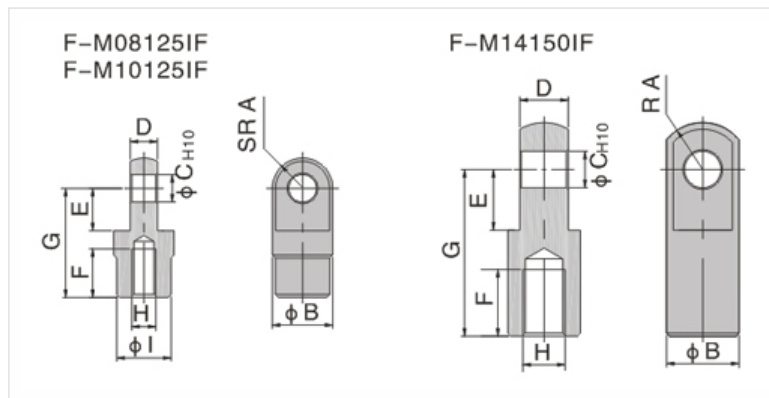
Tip/Cota	NA	NB	NC	ND	NE	NF	NG	NH	NJ	NK	NI
F- M10125IJ	42	40	12	20	17	14	13.8	10	16	30	M10×1.25
F- M14150IJ	52.5	50	12.5	22	21	19	13.8	10	19	40	M14×1.5
F- M18150IJ	66.5	64	16.5	28	27	24	19.8	14	24	50	M18×1.5
F- M22150IJ	83.5	80	23.5	40	29	26	29.8	22	34	60	M22×1.5
F- M26150IJ	83.5	80	23.5	40	29	26	29.8	22	34	60	M26×1.5
F- M27200IJ	120.5	119	28.5	45	40	36	31.8	25	34	92	M27×2.0

**ACQ Series**



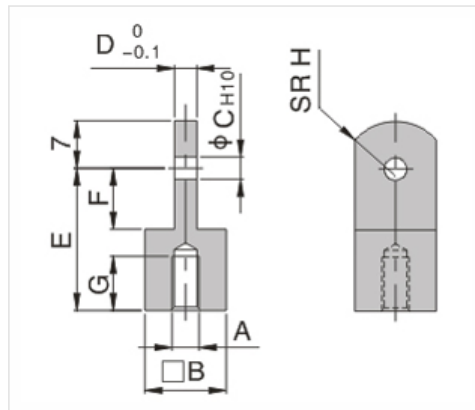
Tip/Cota	A	B	C	D	E	F	G	H	I
F-M05080IQ	21.5	16	9	6	5	4.7	M5x0.8	6.3	10
F-M06100IQ	32	25	11	8	5	6.2	M6x1.0	8.1	12
F-M08125IQ	34	25	13.5	8.5	8	7.7	M8x1.25	10.3	16
F-M10125IQ	41	30	16	11	10	9.7	M10x1.25	12.8	20
F-M14150IQ	42	30	16	14	10	17.6	M14x1.5	12	22
F-M18150IQ	56	40	20	18	14	21.6	M18x1.5	16	28
F-M22150IQ	71	50	23	21	18	27.6	M22x1.5	21	38
F-M26150IQ	79	55	24	22	22	31.6	M26x1.5	24	44

**MF Series**



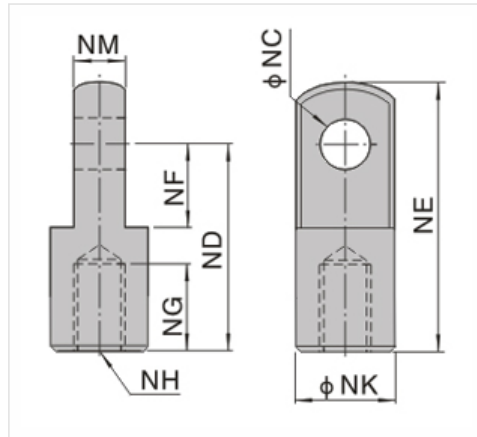
Tip/Cota	A	B	C	D	E	F	G	H	I
F-M08125IF	9.5	20	9	9	14	16	36	M8×1.25	18
F-M10125IF	9.5	20	9	9	14	18	38	M10×1.25	18
F-M14150IF	15	24	12	16	20	22	55	M14×1.5	–

**PB Series**



Tip/Cota	A	B	C	D	E	F	G	H
F-M04070IB	M4×0.7	12	3.3	3	21	9.1	7.5	8
F-M05080IB	M5×0.8	12	5	6.3	25	14.1	7.5	12

### MA Series



Tip/Cota	NC	ND	NE	NF	NG	NH	NK	NM
F- M12125IA	10	45	57	16.5	23	M12×1.25	24	14

## Produse

Cilindri pneumatici  
Distribuitoare pneumatice  
Fitinguri  
Furtunuri pneumatice  
Unitati de preparare aer  
Actuatori  
Scule si unelte pneumatice  
Pistoale aer

## Despre noi

Compania  
Parteneri  
Contact

## Contact rapid

Tel./Fax: (+4) 031.437.01.40

E-mail: [office@atsol.ro](mailto:office@atsol.ro)



**404.** That's an error.

The requested URL was not found on this server. That's all we know.

