

Cilindri pneumatici compacti seria ACP



Cilindri pneumatici seria ACP

Materiale:

- tija din otel carbon
- capacele sunt din aliaj de aluminiu
- garnituri NBR
- piston din aliaj de aluminiu

Datorita structurii compacte si a prinderii in capete , cilindrul are o intretinere usoara si o rezistenta crescuta in timp.

Cilindru compact seria ACE poate fi cu magnet sau fara

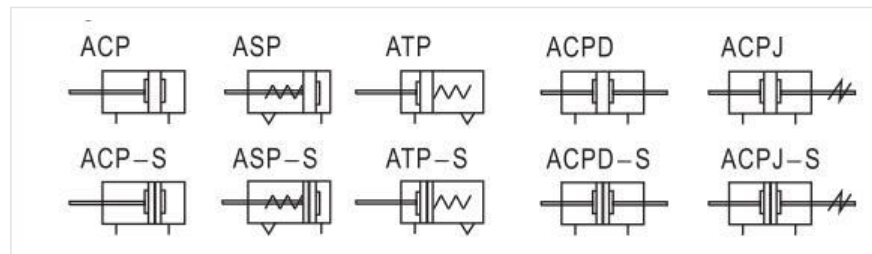
Structura compacta reduce cu 50% spatiul de instalare

Cilindrul dispune de canale speciale pentru senzori magnetici

Diametru cilindrului: Ø12, Ø16 Ø20 Ø25 Ø32 Ø40 Ø50 Ø63 Ø80 Ø100 Ø125

Cursa cilindrului de la 10 la 300, in functie de varianta constructiva.

Pentru date tehnice si variante constructive ale acestui cilindru consultati tabelele ce urmeaza.



■ Specification

Bore size(mm)		12	16	20	25	32	40	50	63	80	100	
Acting type		Double acting, Single acting-Push type, Single acting-Pull type										
Fluid		Air(to be filtered by 40 μ m filter element)										
Operating pressure	Double acting	0.1~1.0MPa(15~145psi)(1.0~10.0bar)										
	Single acting	0.2~1.0MPa(28~145psi)(2.0~10.0bar)										
Proof pressure		1.5MPa(215psi)(15bar)										
Temperature °C		-20~80										
Speed range mm/s		Double acting: 30~500					Single acting: 50~500					
Stroke tolerance		0~150 ^{+1.0} ₀					>150 ^{+1.4} ₀					
Cushion type		Bumper										
Port size ①		M5 × 0.8					1/8"			1/4"		

■ Stroke

Bore size (mm)		Standard stroke (mm)										Max. std stroke	Max. stroke
12 16	Double acting	5 10 15 20 25 30 35 40 45 50 55 60 65 70 75 80 85 90 95 100 110										200	200
		120 125 150 160 175 200											
	Single acting	5 10										10	-
20 25	Double acting	5 10 15 20 25 30 35 40 45 50 55 60 65 70 75 80 85 90 95 100 110										200	200
		120 125 150 160 175 200											
	Single acting	5 10 15 20 25										25	-
32 40 50	Double acting	5 10 15 20 25 30 35 40 45 50 55 60 65 70 75 80 85 90 95 100 110										300	300
		120 125 150 160 175 200 225 250 275 300											
63	Single acting	5 10 15 20 25										25	-
80 100	Double acting	5 10 15 20 25 30 35 40 45 50 55 60 65 70 75 80 85 90 95 100 110										400	400
		120 125 150 160 175 200 225 250 275 300 325 350 375 400											
	Single acting	5 10 15 20 25										25	-

Ordering code

ACP 20 × 30 S B

ACPD 20 × 30 S B

ACPJ 20 × 30-30 S B

Model

ACP: Tight cylinder(Double acting)
ASP: Tight cylinder(Single acting-push)
ATP: Tight cylinder(Single acting-pull)
ACPD: Tight cylinder(Double rod)
ACPJ: Tight cylinder(Adjustable stroke)

Bore size

12 16 20 25 32 40 50 63 80 100

Stroke
Refer to stroke table for details

Adjustable stroke

Model	Adjustable stroke
ACPJ	10: 10mm
	20: 20mm
	30: 30mm
	40: 40mm
	50: 50mm
75: 75mm	
100: 100mm	
Others	No this code

Thread type ②

Blank: PT
T: NPT
G: G

①

Model	Mounting type
Blank	No accessories
ACP	FA: FA type
ASP	FB: FB type
ATP	CA: CA type
	CB: CB type
	LB: LB type
ACPD	Blank: No accessories
ACPJ	FA: FA type
	LB: LB type

Rod type

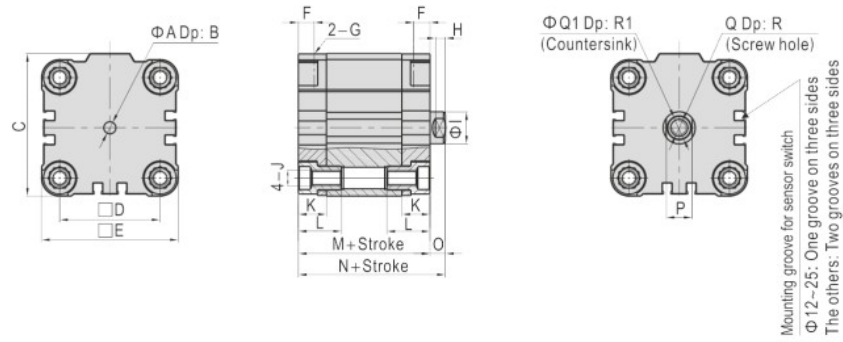
Blank: Female thread
B: Male thread
N: No thread

Magnet

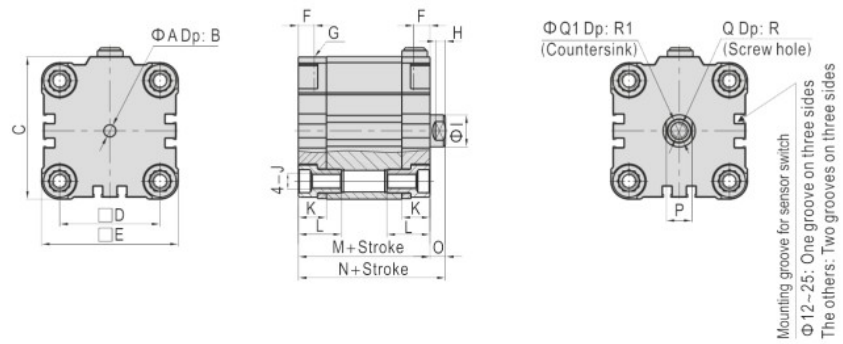
Blank: Without magnet
S: With magnet

Dimensions

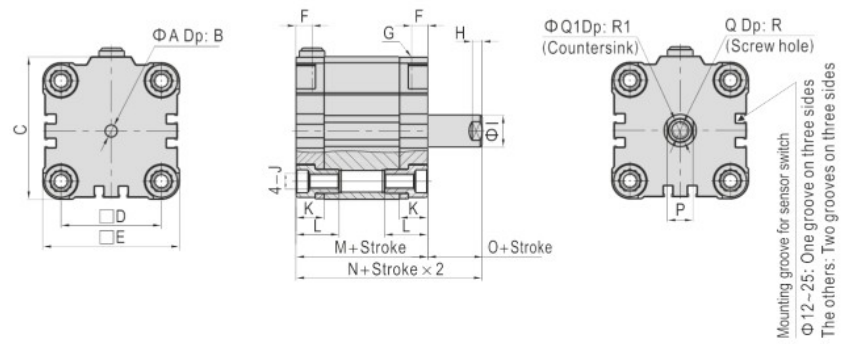
ACP



ASP



ATP



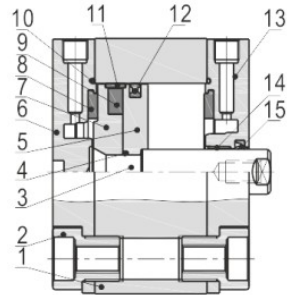
Bore size\Item	A	B	C	D	E	F	G	H	I	J	K	L	M	N	O	P	Q	Q1	R	R1
12	6	4	30	18	29	7	M5 \times 0.8	3	6	M4 \times 0.7	11.5	18	38	42.5	4.5	5	M3 \times 0.5	3.3	8	1.5
16	6	4	30	18	29	7	M5 \times 0.8	3	8	M4 \times 0.7	11.5	18	38	42.5	4.5	6	M4 \times 0.7	4.5	10	1.5
20	6	4	37.5	22	36	7	M5 \times 0.8	3	10	M5 \times 0.8	11.5	18	38	42.5	4.5	8	M5 \times 0.8	5.5	12	2
25	6.1	4	41.5	26	40	7	M5 \times 0.8	4	10	M5 \times 0.8	11.5	18	39.5	45	5.5	8	M5 \times 0.8	5.5	12	2
32	6.1	4	52	32	50	8	1/8"	4.5	12	M6 \times 1.0	14	21	44.5	50.5	6	10	M6 \times 1.0	6.5	14	2.6
40	6.1	4	62.5	42	60	8	1/8"	4.5	12	M6 \times 1.0	14	21	45.5	52	6.5	10	M6 \times 1.0	6.5	14	2.6

50	6.1	4	71	50	68	8	1/8"	5	16	M8 × 1.25	14	21.5	45.5	53	7.5	13	M8 × 1.25	8.5	16	3.3
63	8.1	4	91	62	87	8	1/8"	5	16	M10 × 1.5	15	24	50	57.5	7.5	13	M8 × 1.25	8.5	16	3.3
80	8.1	4	111	82	107	8.5	1/8"	5.5	20	M10 × 1.5	16	27	56	64	8	17	M10 × 1.5	10.5	20	4.7
100	8.1	4	133	103	128	10.5	1/4"	7.5	25	M10 × 1.5	19	32	66.5	76.5	10	22	M12 × 1.75	12.5	24	6.1

Remark: The dimensions of magnet type cylinder are the same as non-magnet type cylinder.

Inner structure and material of major parts

ACP-S



NO.	Item	Material
1	Body	Aluminum alloy
2	Screw	Carbon steel
3	Piston rod	Φ 12~25 Stainless steel
		Others S45C
4	O-ring	NBR
5	Piston	Aluminum alloy
6	Back cover	Aluminum alloy
7	Magnet holder	Aluminum alloy
8	Bumper	TPU
9	Magnet	Φ 12~32 Sintered metal (Neodymium-iron-boron)
		Others Plastic
10	O-ring	NBR
11	Wear ring	Φ 12~32 No
		Others Wear resistant material
12	Piston seal	NBR
13	Front cover	Aluminum alloy
14	Bushing	Φ 12~20 No
		Others Wear resistant material
15	Front cover packing	NBR

Produse

Cilindri pneumatici
Distribuitoare pneumatice
Fitinguri
Furtunuri pneumatice
Unitati de preparare aer
Actuatori
Scule si unelte pneumatice
Pistoale aer

Despre noi

Compania
Parteneri
Contact

Contact rapid

Tel./Fax: (+4) 031.437.01.40

E-mail: office@atsol.ro



404. That's an error.

The requested URL was not found on this server. That's all we know.

© 2017 Air Tech Solutions . All rights reserved.

[Home](#) | [Catalog](#) | [Parteneri](#) | [Compania](#) | [Unitati de preparare aer](#) | [Cilindri pneumatici](#) | [Furtunuri pneumatice](#) | [Scule si unelte pneumatice](#) | [Cine suntem](#)
| [Download Catalog Pneumatice 2015](#) | [Contact](#)