



Droșele FE



Cod: BSL...

Reglatoare debit cu droșel din policarbonat la 90 grade

Filete exterioare de: M5, 1/8", 1/4", 3/8", 1/2", și diametre port-furtun: Ø4, Ø6, Ø8, Ø10, Ø12.

Presiune lucru max 20 bar

Temperatura -20°C ... +80°C

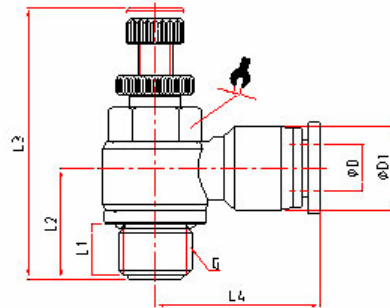
Support tehnic live

Support tehnic 24/24

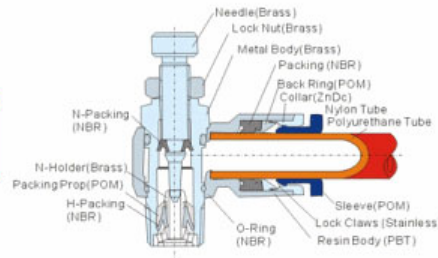


Specifications

Fluid	Air
Operating Pressure	0-1.0MPa
Negative Pressure	-750mmHg
Operating Temperature	5~60℃



Construction



Technical Data

MODEL	ΦD	G	L1	L2	L3 (max)	L4	ΦD1	⌀
BSL184	4	G1/8	5.5	14	42	23.5	11.5	12
BSL144		G1/4	7.5	18	48	25.5	11.5	14
BSL186	6	G1/8	5.5	14	42	23.5	13.5	12
BSL146		G1/4	7.5	18	48	25.4	13.5	14
BSL386	8	G3/8	7.5	20.5	53	29.5	13.5	19
BSL188		G1/8	5.5	14.5	42	26.5	15	12
BSL148	8	G1/4	7.5	19	48	28.9	15	14
BSL388		G3/8	7.5	20.5	53	29.8	15	19
BSL128	10	G1/2	10	25.5	61	32.5	15	24
BSL1810		G1/8	5.5	17.5	42	30.3	19	12
BSL1410	10	G1/4	7.5	20	48	32.6	19	14
BSL3810		G3/8	7.5	22.5	53	33	19	19
BSL1210	12	G1/2	10	25.5	61	36	19	24
BSL1412		G1/4	7.5	20	48	33.5	21.5	14
BSL3812	12	G3/8	7.5	24	53	35.5	21.5	19
BSL1212		G1/2	10	30	61	36.5	21.5	24

Produse

Cilindri pneumatice
Distribuitoare pneumatice
Fitinguri
Furtunuri pneumatice
Unitati de preparare aer
Actuatori
Scule si unelte pneumatice
Pistoale aer

Despre noi

Compania
Parteneri
Contact

Contact rapid

Tel./Fax: (+4) 031.437.01.40

E-mail: office@atsol.ro



Unavailable

This map is no longer available because it was moved to the trash. Please contact the owner to restore access.

© 2017 Air Tech Solutions . All rights reserved.

[Home](#) | [Catalog](#) | [Parteneri](#) | [Compania](#) | [Unitati de preparare aer](#) | [Cilindri pneumatice](#) | [Furtunuri pneumatice](#) | [Scule si unelte pneumatice](#) | [Cine suntem](#)
| [Download Catalog Pneumatice 2015](#) | [Contact](#)